

STREAMLINE PELMET WITH INSECT CONTROL SYSTEM

KEY PRODUCT ADVANTAGES

1 MODERN

- Modern design and sleek appearance.
- Unique Insect Control System providing a barrier against weather, dust and insects.
- Pelmet lower lip hides the Top Stop and provides a flush appearance between the Bottom Bar and the Pelmet.

2 STRONGER

- 60% thicker and made of Extruded Aluminium.
- With plastic film protection on the powder-coated extrusions.
- Now with a combination of screws and rivets fastening the assembly.

3 VERSATILE

- Easier installation with self-holding front and back cover.
- Optional rear loading with the 3-part design for high-rise and tricky installations.
- End plate leg reduced by half (25mm) - Less susceptible to damage during transport and installation.

EASIER & SAFER INSTALLATION

MODERN DESIGN

INSECT CONTROL

COLOURS AND SIZES



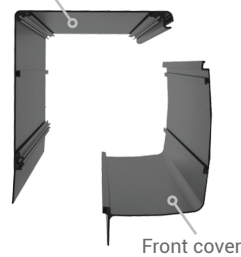
6.5-METER LENGTHS

- Available in 135mm and 165mm Pelmet sizes.
- Reducing offcuts - lower cost to customer.
- The new Pelmet is available in all existing standard colours and mill finish.
- This includes Monument* - the new addition to the Ziptrak* standard colour range.



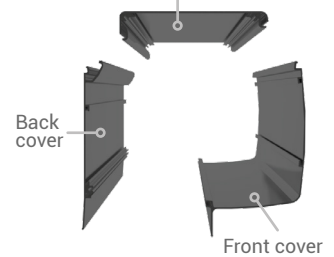
PELMET CONFIGURATION

Top and back cover



TWO-PART PELMET

Top cover



THREE-PART PELMET

- 165mm Pelmet is available ONLY as a three-part configuration.

END PLATES

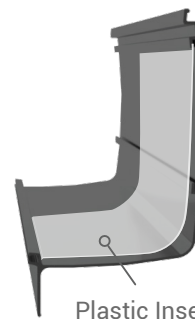


MOTORISED



SPRING BALANCED

PELMET ACCESSORIES



Plastic Insert

135MM PELMET PLASTIC INSERT

- The plastic insert allows more skin to fit into the 135mm Pelmet ONLY.

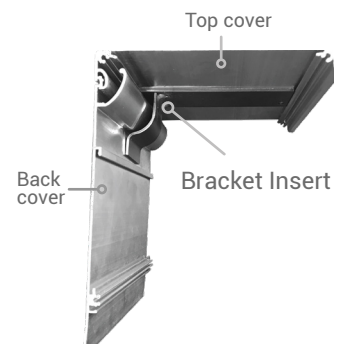


INSECT CONTROL SYSTEM

- The brush insert on the Streamline Pelmet has unique protection capabilities, providing a barrier for insects and other debris.

BACK COVER BRACKET

- The bracket insert increases the strength and rigidity of the Pelmet when exceeding the 3-meters wide mark.



COMPATIBILITY NOTES

- Ziptrak Pty Ltd will gradually discontinue the Traditional Pelmet – Roll Formed. Please check availability with our orders team before placing your order.
- The existing motorisation kits are compatible with the new endplates.
- The existing Display Cases are compatible with the new endplates and pelmet.
- Updated kits are available in three colours to match the colour of the Display Cases previously sold.
- All previous springs are compatible with the new endplates.

- The Back Cover Bracket is compatible ONLY with the 3 part pelmet.
- The Brush insert is compatible with the new Streamline Pelmet.
- The double brush insert is the optimal configuration. It will be available in late 2020.
- For blinds using mesh fabrics is recommended to include the plastic insert which absorbs the noise and allows a smoother operation of the system.

For further information please refer to the updated Installation and Fabrication manuals available in the Trade Hub.